

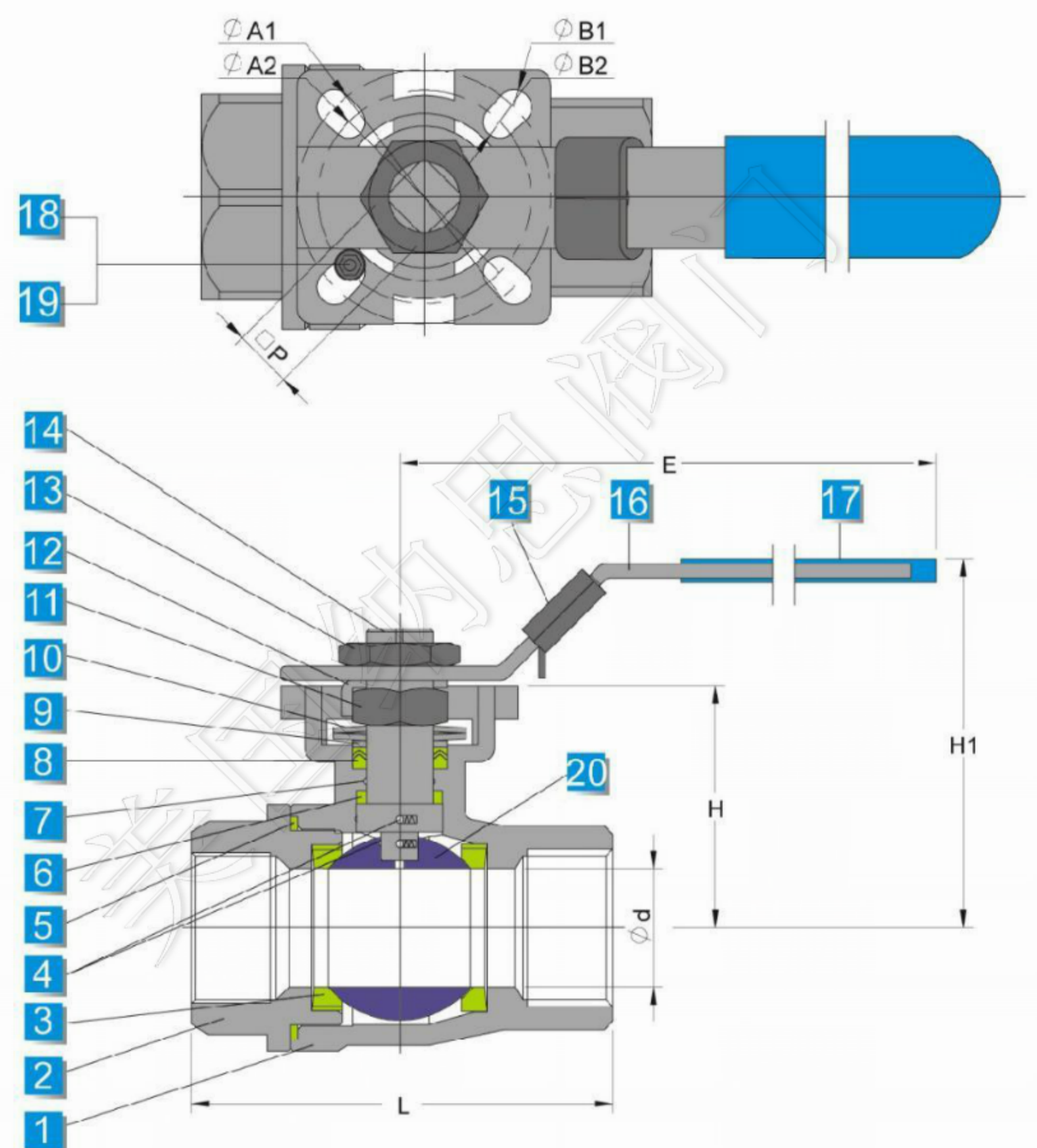
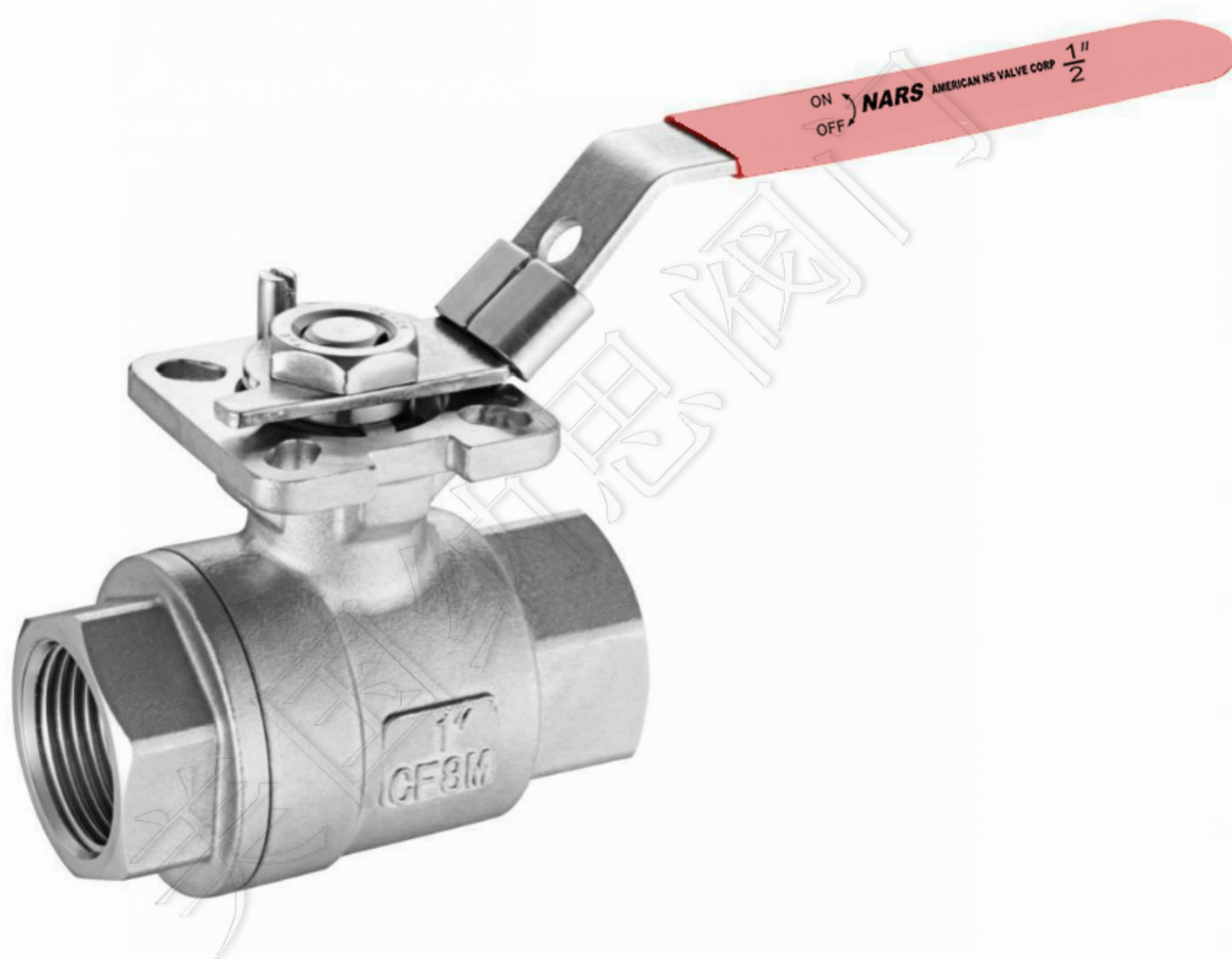
**产品特点 / FEATURES:**

阀杆带有防静电设置 Anti-static Devices For Ball- Stem- Body  
 阀杆带有防脱出装置设计 Blow-out Proof Stem  
 钢球球槽上有泄压孔设计 Pressure Balance Hole In Ball Slot  
 采用ISO 5211直接安装执行器平台设计  
 Built In ISO 5211 Direct Mounting Pad For Easy Automation

**标准 / STANDARDS:**

设计标准 / Design: ASME B16.34  
 壁厚标准 / Wall Thickness: ASME B16.34  
 螺纹标准 / Pipe Thread: ASME B1.20.1,BS21  
 DIN 2999/259,ISO 228/1 JIS B 0203,ISO 7/1  
 检测标准 / Inspection & Testing: MSS SP-110,EN 12266

No.	PARTS NAME	MATERIAL		
1	阀体/Body	CF8M	CF8	WCB
2	阀盖/Cap	CF8M	CF8	WCB
3	阀座/Seat	PTFE/RPTFE/PPL		
4	防静电装置/Anti-Static Device	SUS301		
5	阀体填料/Body Gasket	PTFE/RPTFE		
6	止推垫片/Thrust Washer	PTFE/RPTFE		
7	O型圈/O-Ring	VITON/FKM		
8	V型垫片/V-Ring Packing	PTFE/RPTFE		
9	压盖/Gland	SUS304		
10	碟簧/Belleville Washer	SUS301		
11	阀杆螺母/Stop Nut	A194-8		
12	止推垫片/Thrust Washer	SUS304		
13	阀杆螺母/Stem Nut	SUS304		
14	阀杆/Stem	SUS316	SUS304	
15	锁片/Locking Device	SUS301		
16	手柄/Handle	SUS304		
17	手柄套/Handle Cover	Plastic		
18	锁片/Locking Bolt	SUS304		
19	螺母/Nut	SUS304		
20	球体/Ball	SUS316	SUS304	



Unit:mm

Size	Ød	L	H	H1	E	Ø A2	Ø A1	Ø B2	Ø B1	□ P	ISO 5211	HEX.B	End
1/4"	10.5	50	26	50	98	36	42	6	6	9	F03-F04	21	
3/8"	12	60	30	57	110	36	42	6	6	9	F03-F04	21	
1/2"	15	75	37	65	110	36	42	6	6	9	F03-F04	25	NPT
3/4"	20	80	40	67	110	36	42	6	6	9	F03-F04	32	BSPT
1"	25	90	49	80	130	42	50	6	7	11	F04-F05	40	PT
1-1/4"	32	110	53	83	160	42	50	6	7	11	F04-F05	48	DIN
1-1/2"	38	120	62	99	185	50	70	7	9	14	F05-F07	55	BSP
2"	48	140	70	107	185	50	70	7	9	14	F05-F07	69	etc.
2-1/2"	65	185	95	163	305	70	102	9	11	17	F07-F10	85	
3"	80	205	110	168	305	70	102	9	11	17	F07-F10	98	